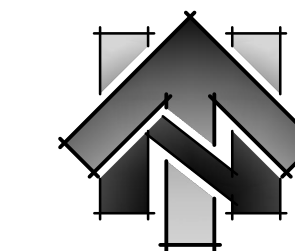
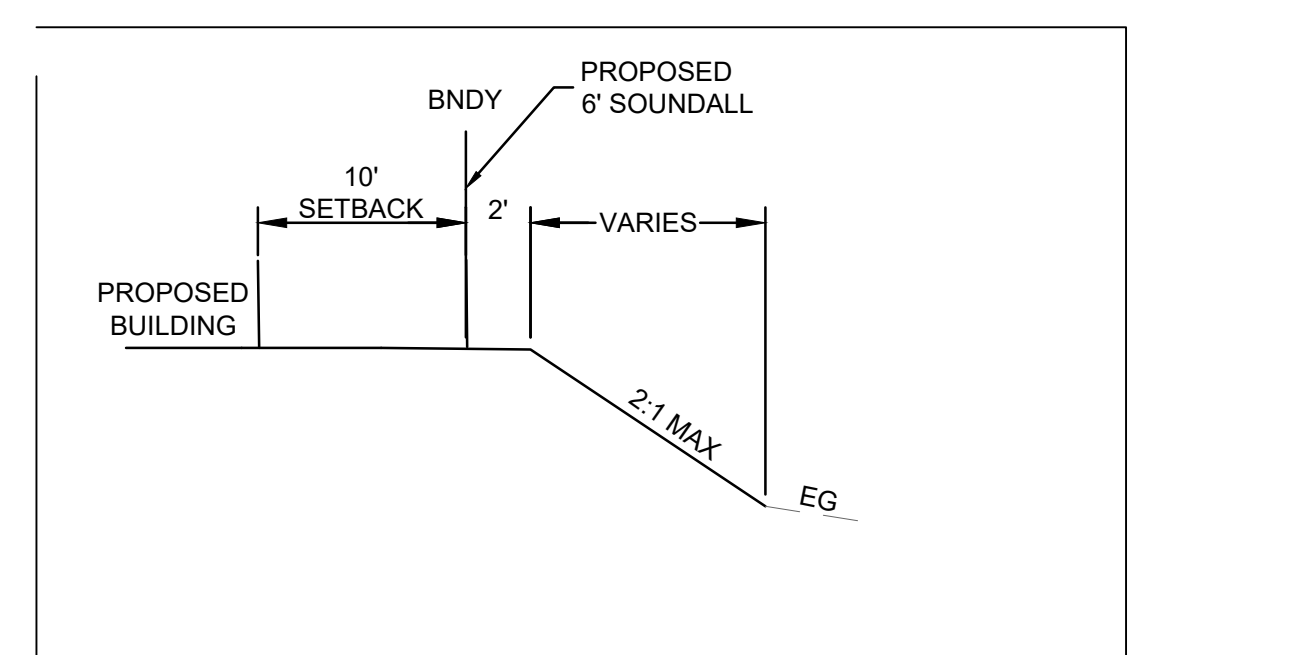
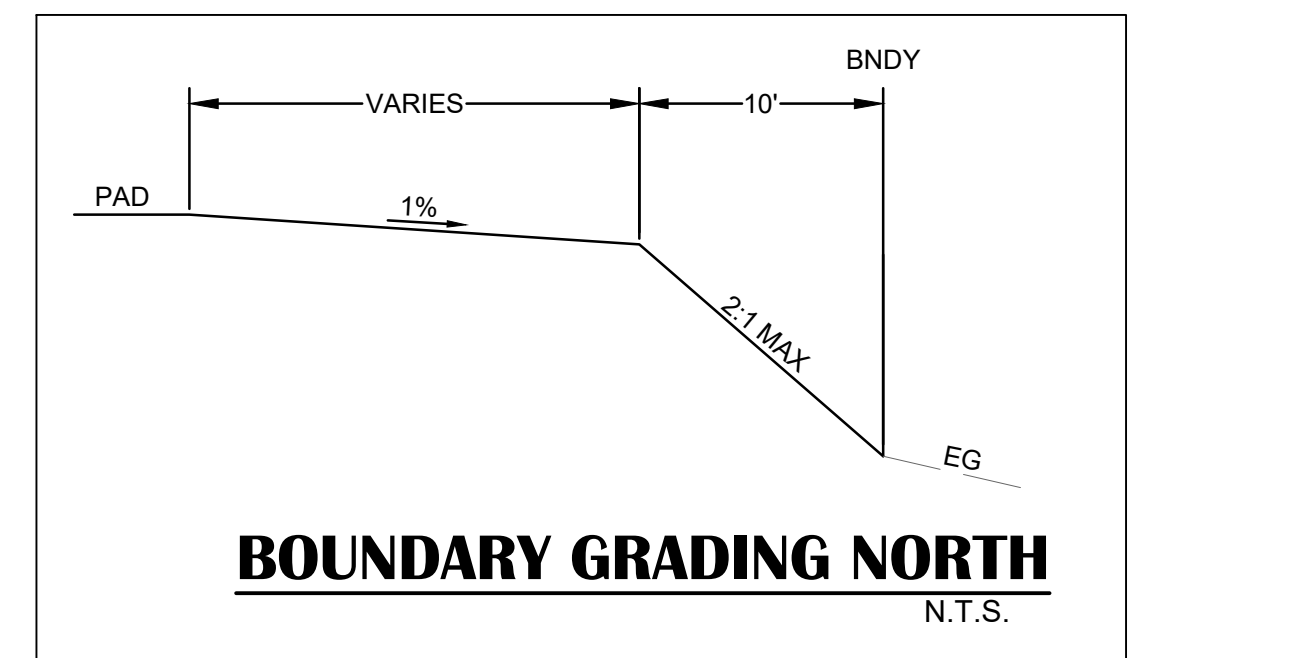
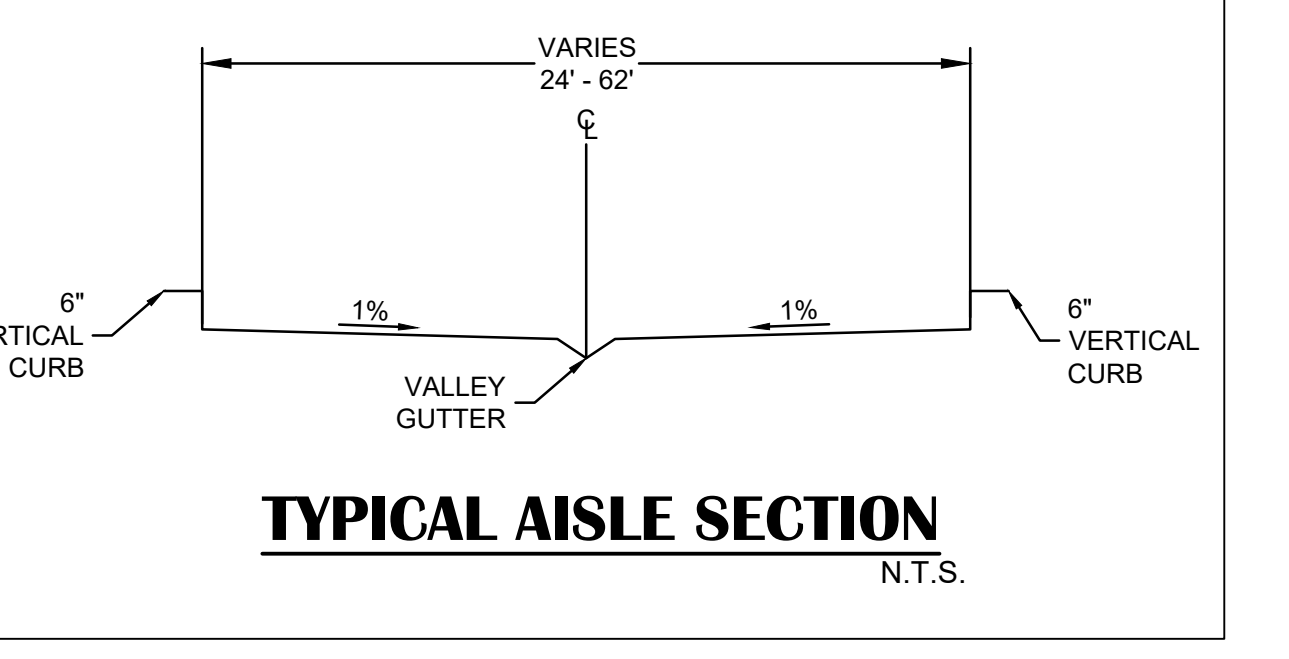
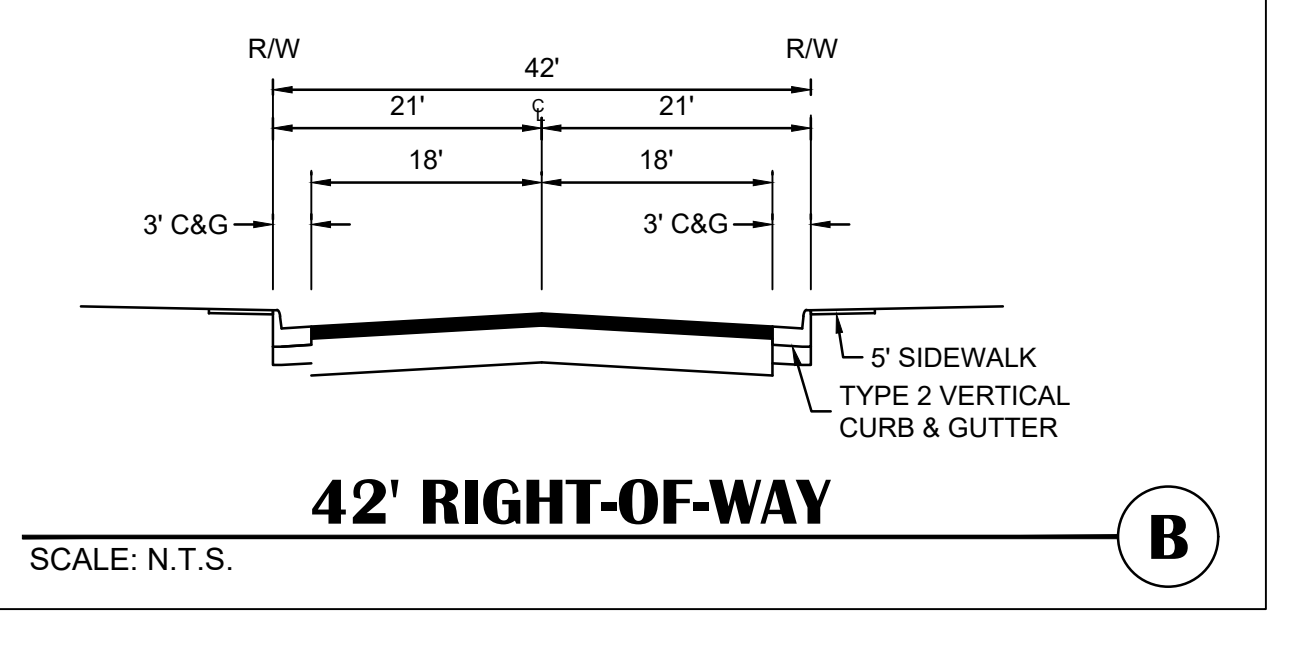
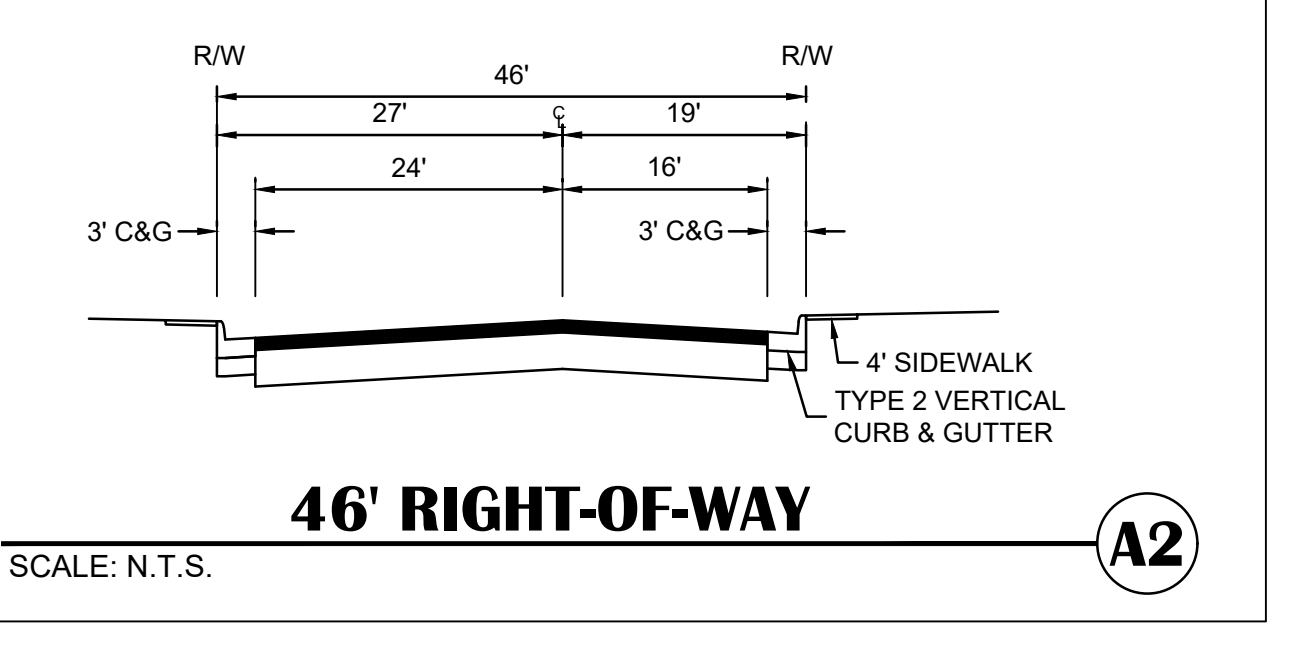
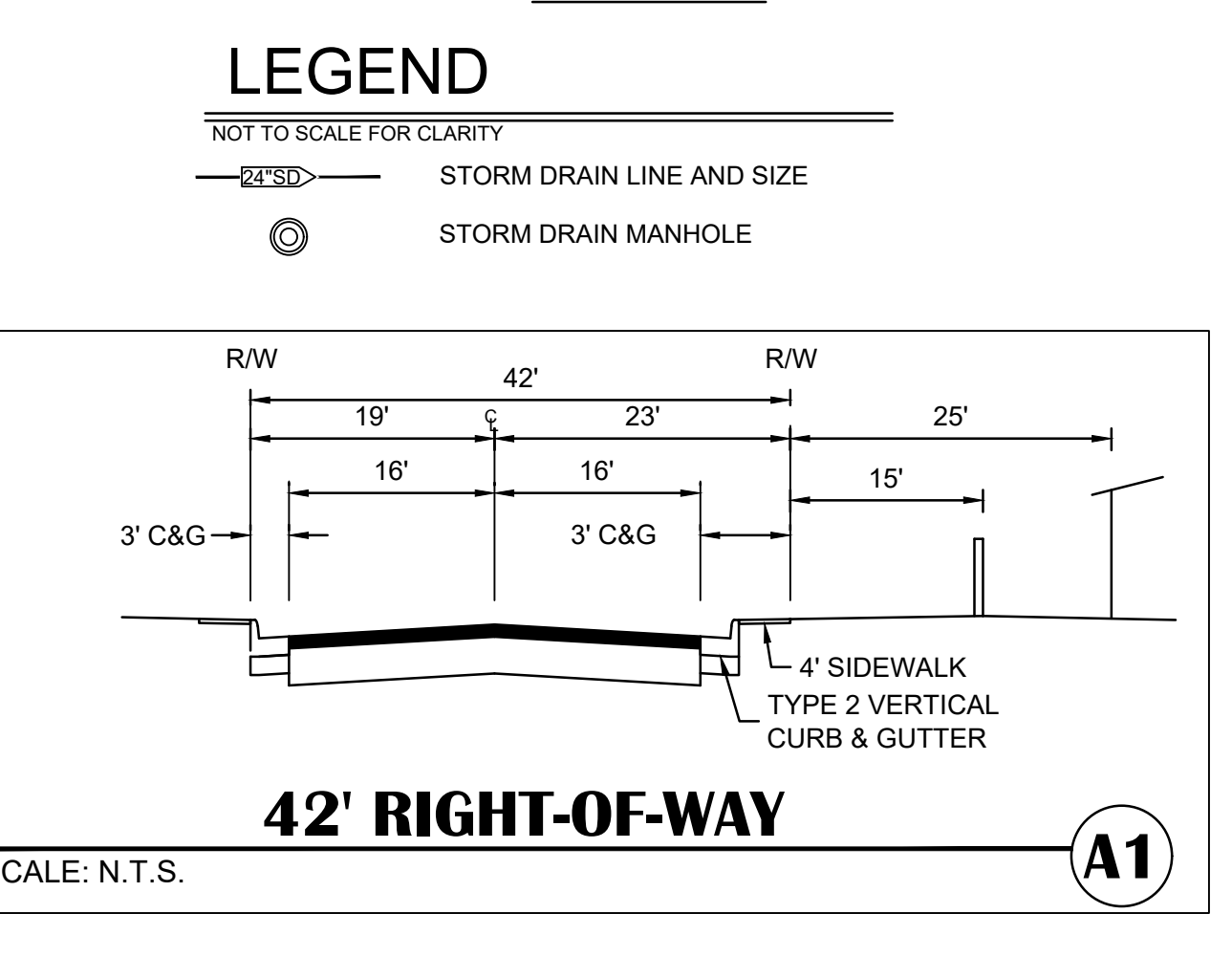
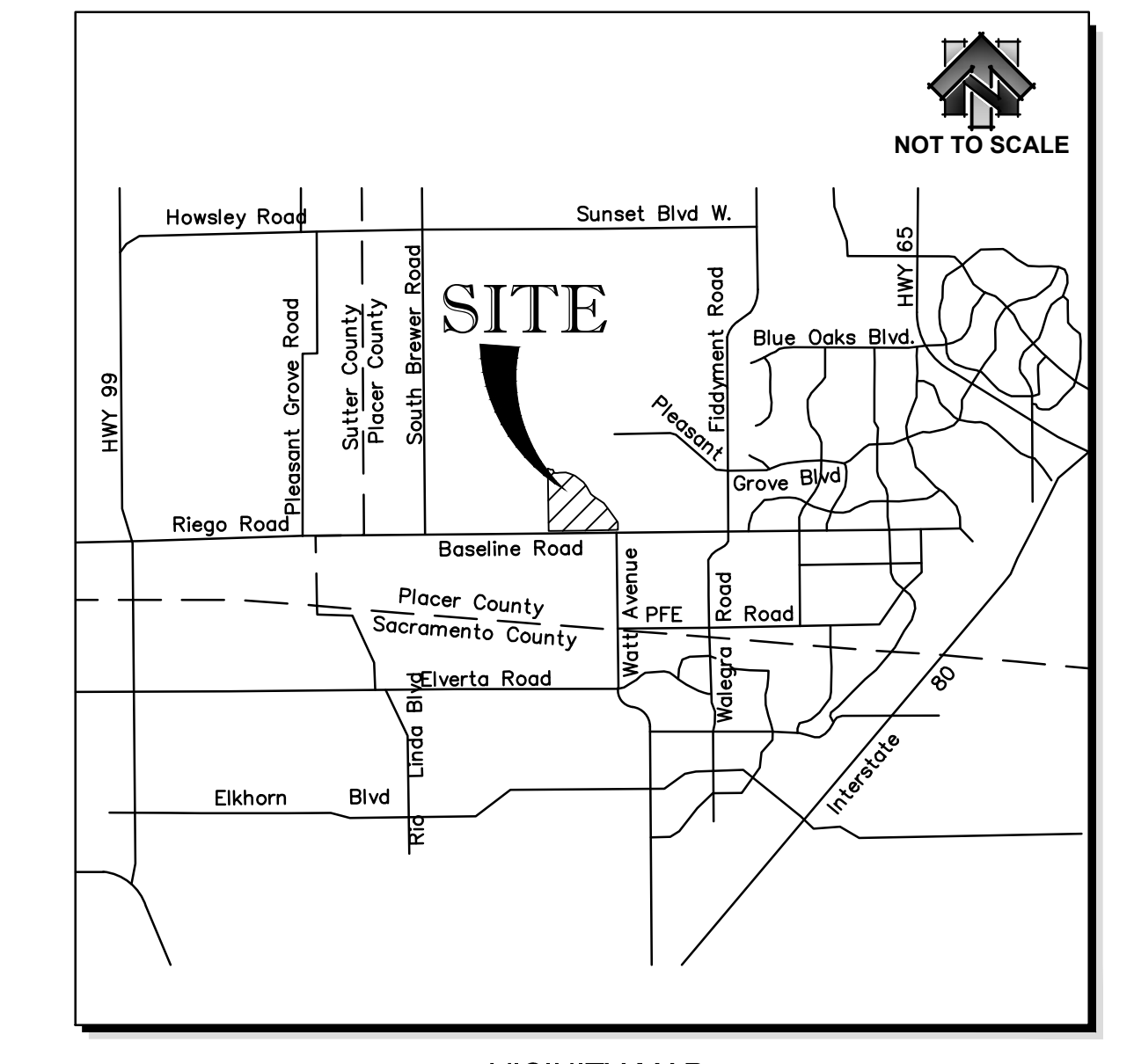
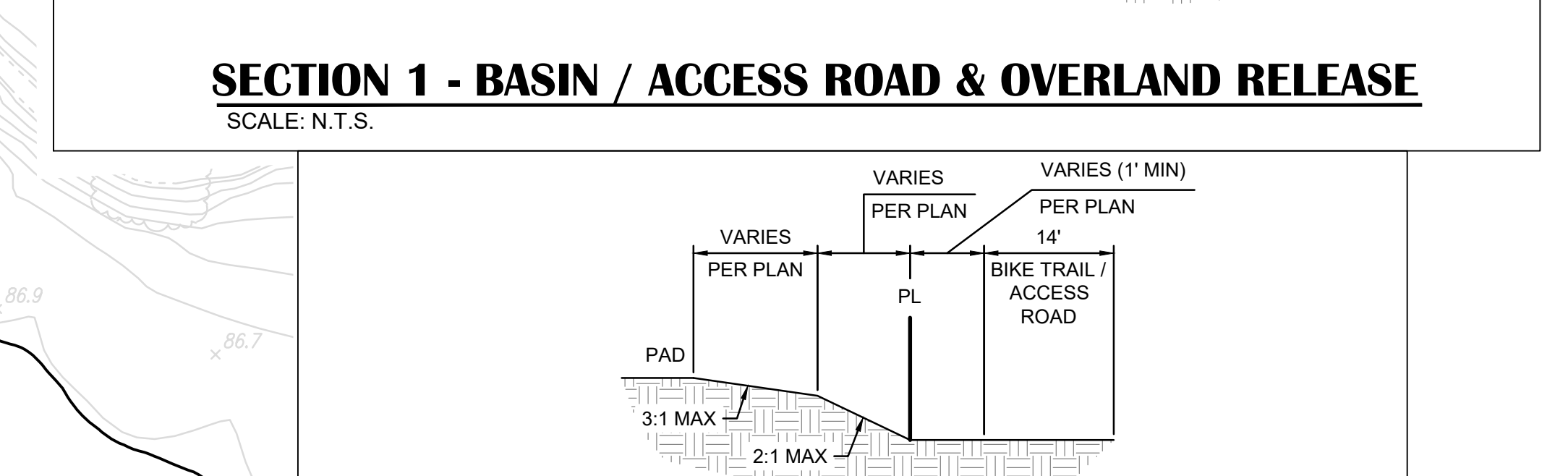
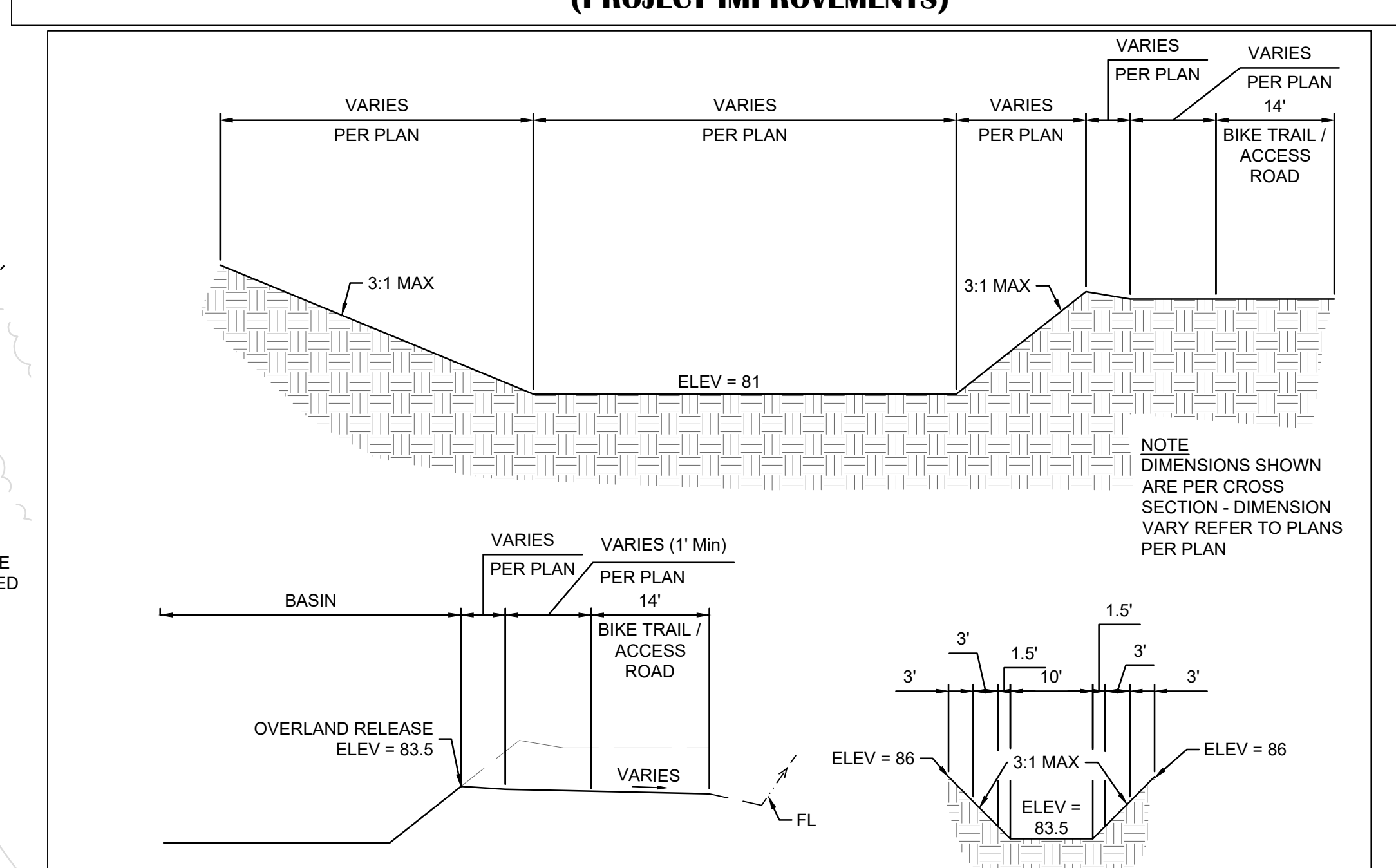
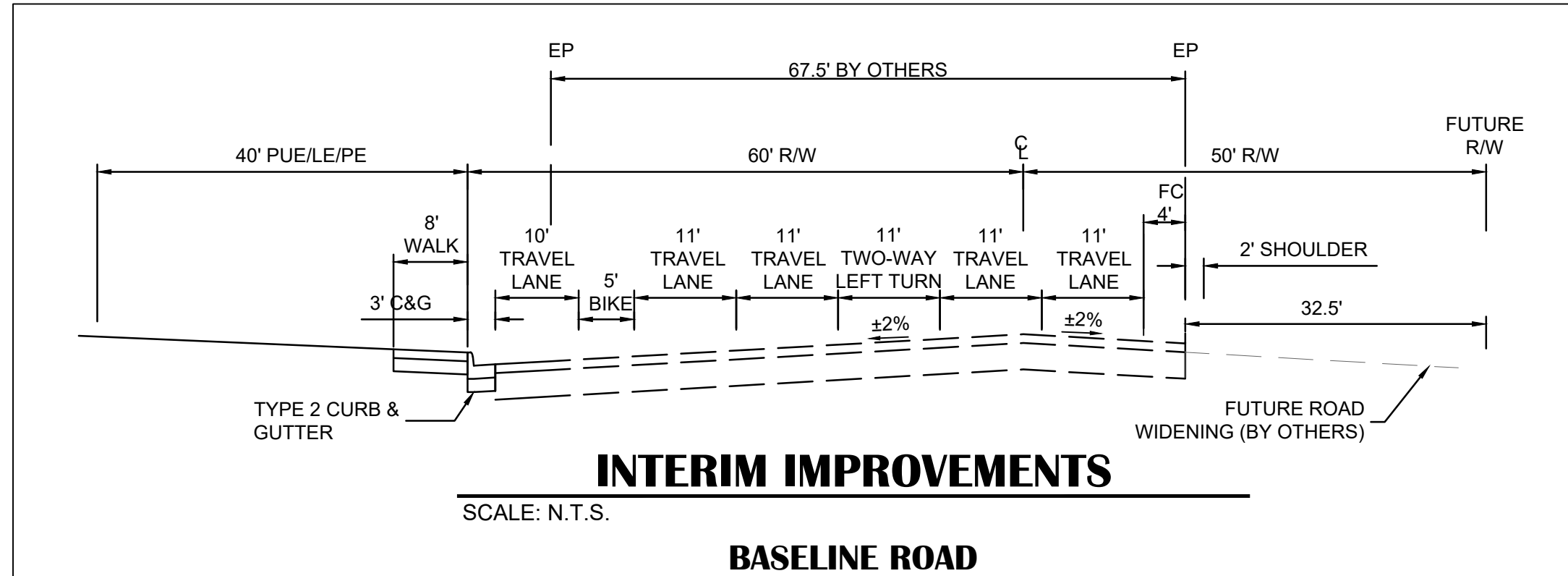
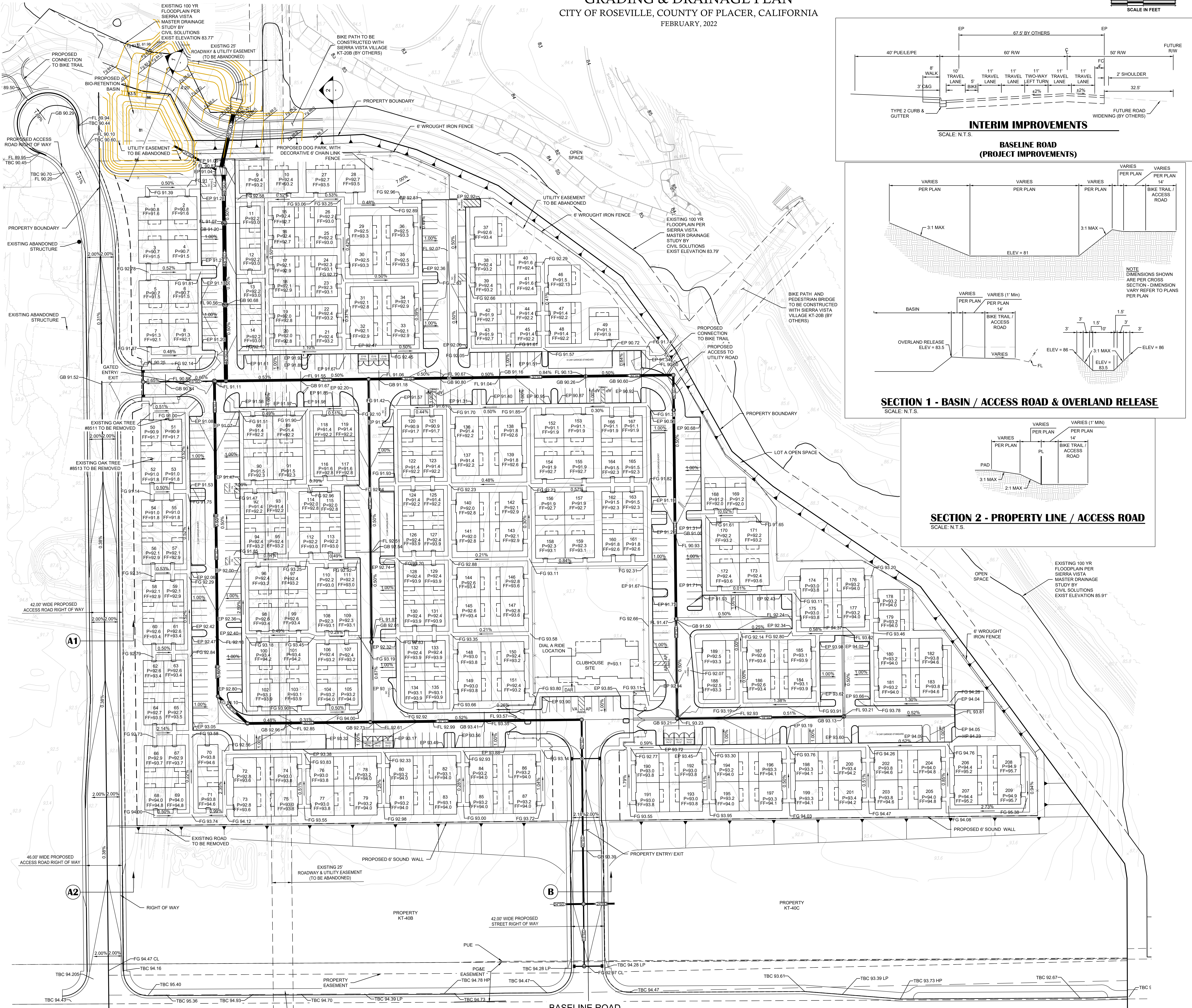
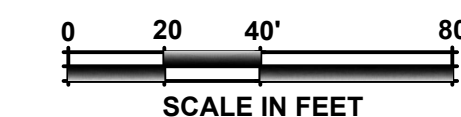


SIERRA VISTA ESTIA

PC EXHIBIT F



GRADING & DRAINAGE PLAN CITY OF ROSEVILLE, COUNTY OF PLACER, CALIFORNIA FEBRUARY, 2022



PRELIMINARY EARTHWORK	
CUT	15,630 CY
FILL	42,500 CY
NET FILL	26,870 CY
DISTURBED AREA	17.13± ACRES